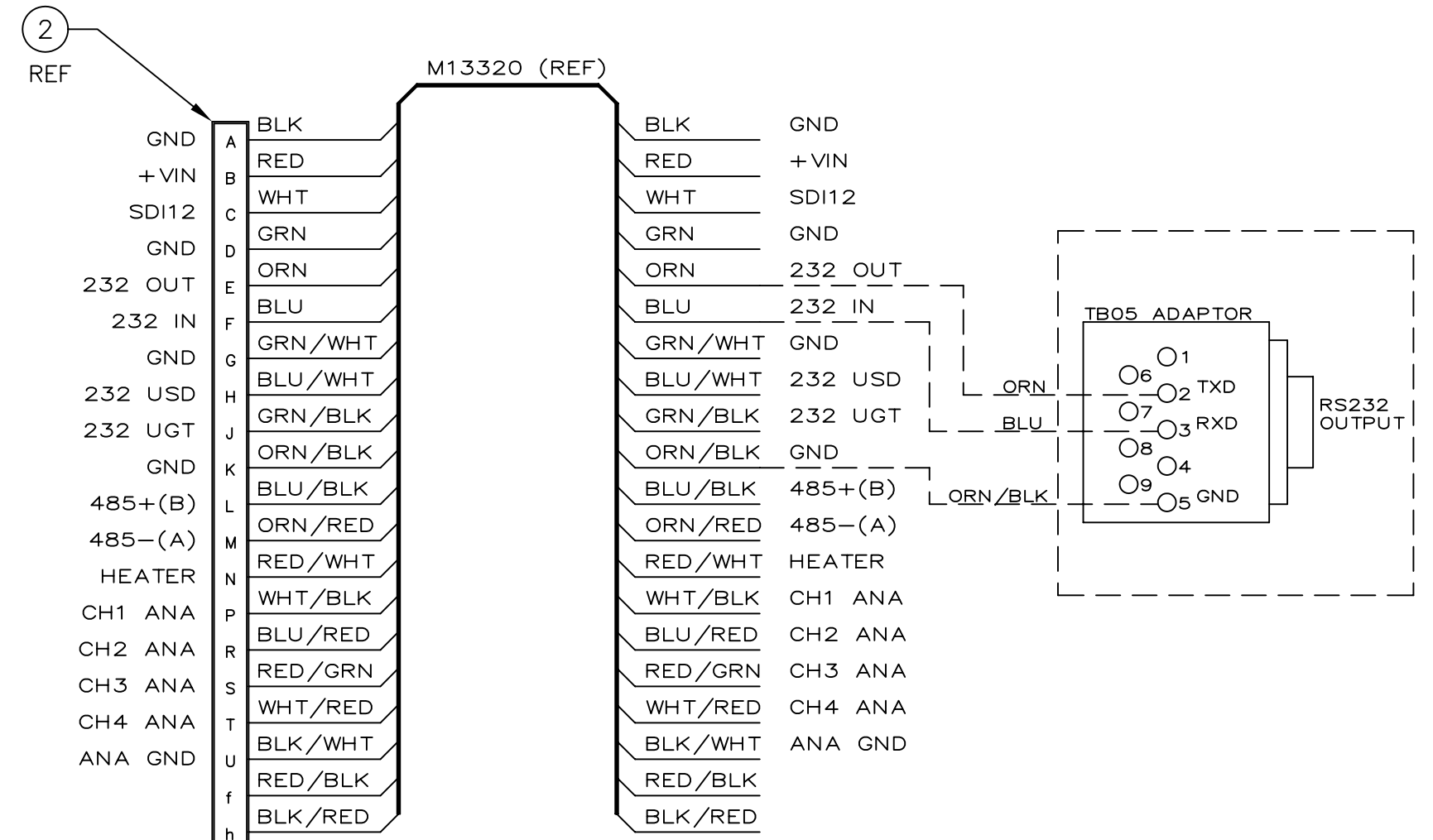
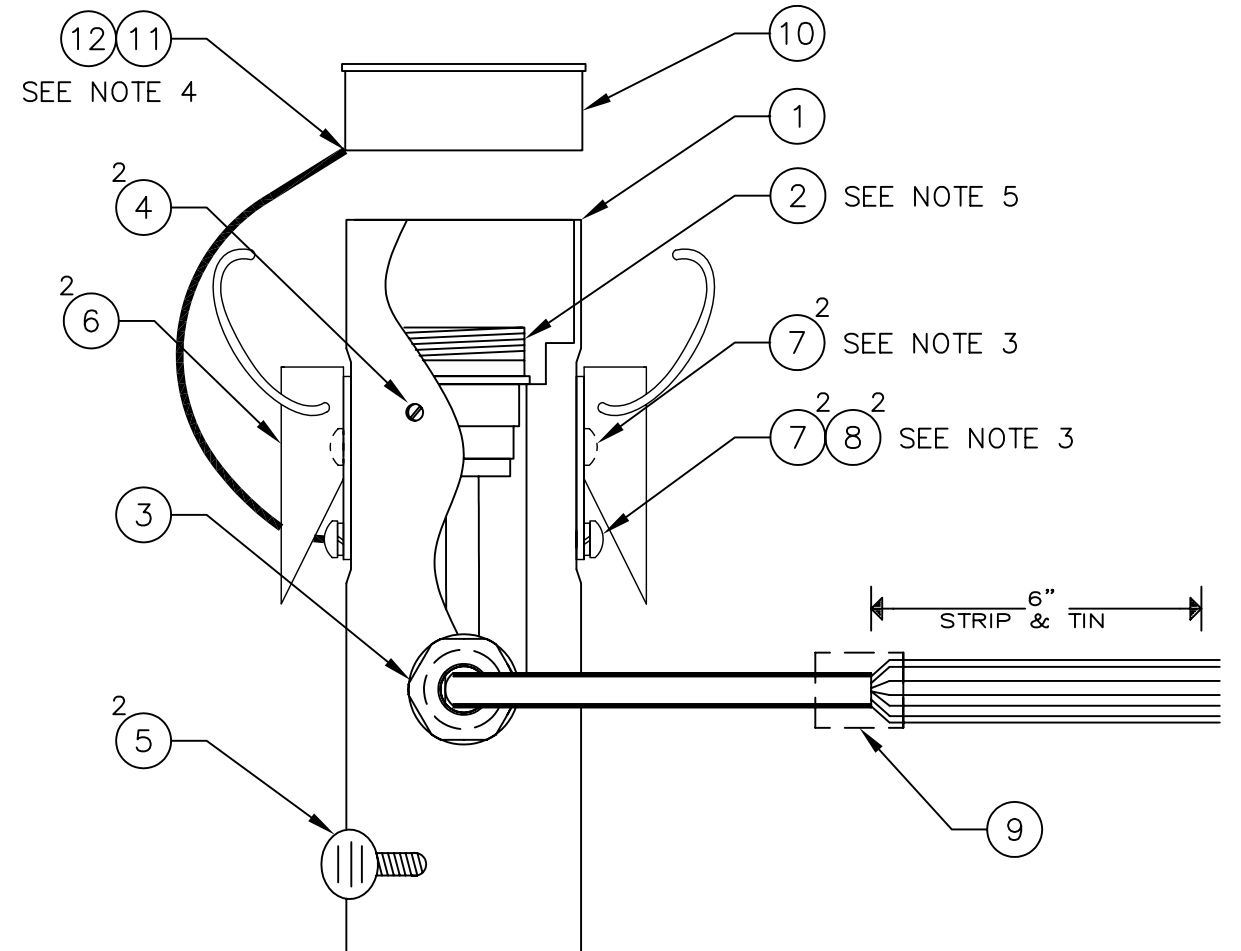


REVISIONS			
REV	DESCRIPTION	DATE	APPROVED
A	SEE ECN 5629	12/18/06	D.A.



- NOTES:
- 1) NOT ALL PINS SHOWN ON CONNECTOR.
 - 2) CABLE PART NUMBER SHOWN FOR REFERENCE ONLY. SEE CONFIGURED PART FOR CABLE LENGTH.
 - 3) ONLY USE LOCKWASHERS WHERE SHOWN. USE LOCTITE ON ITEM 7.
 - 4) INSTALL LANYARD ON SIDE OF CAP WITH RIVET FROM THE OUTSIDE (INSIDE MUST BE FLAT). ATTACH LANYARD TO BOTTOM SCREW ON LATCH. RIVET MUST BE TIGHT.
 - 5) POT ITEM 2 USING FERRULE PROVIDED AND DP-270 POTTING COMPOUND.

UNLESS OTHERWISE SPECIFIED DIMENSIONS ARE IN INCHES TOLERANCES ARE:		CONTRACT NO.	
FRACTIONS	DECIMALS	ANGLES	APPROVALS
± 1/64	.XX ± .010	± 1°	DATE
	.XXX ± .005		
MATERIAL	NOT APPLICABLE	CHECKED	D.ADAMS
FINISH	NOT APPLICABLE	ISSUED	D.ADAMS
NEXT ASSY	USED ON	SCALE:	NONE
APPLICATION	DO NOT SCALE DRAWING		

CLIMATRONICS
 140 Wilbur Place
 Airport International Plaza
 Bohemia, NY 11716
 USA
 FAX (631)567-7585 Phone (631)567-7300

**QUICK MOUNT,
 SONIC 2/TACMET 3**

SIZE	FSCM NO.	DWG. NO.	REV.
B	52332	102694	A

P: \Drawings\Assembly\102694A.dwg SHEET 1 OF 2

QUICK MOUNT, SONIC 2/TACMET 3

P/N 102694 Rev A

PARTS LIST

Sheet 2 of 2

ITEM	SYM. NO	QTY	PART NO.	DESCRIPTION
------	---------	-----	----------	-------------

Notes: M13320 CABLE IS SHOWN FOR REFERENCE.
SEE CONFIGURED PART FOR CORRECT CABLE LENGTH.

1		1.0	501668	QUICK MOUNT, TIII, SONIC II
2		1.0	MS3116E18-32S	CONNECTOR, STRAIGHT PLUG
3		1.0	3243	CONNECTOR/LIQUID TYPE W/STRAIN
4		2.0	MS51023-51	SET SCREW 10-32 x 3/8
5		2.0	91745A539	THUMB SCREW 1/4-20 X 5/8 SS
6		2.0	7882-7-SS	LATCH
7		4.0	MS51957-42	SCREW 8-32 x 5/16
8		2.0	MS35338-137	WASHER LOCK SPLIT #8
9		0.5	TAT-125-3/8	TUBING, SHRINK, 3/8 inch
10		1.0	PGC-101	1-1/2 PIPE CAP
11		1.0	LL2-8	LANYARD
12		1.0	2014157	RIVET, 3/16 DIA X 1/8
13		1.0	TB05	TERMINAL BLOCK/DB9F ADAPTOR