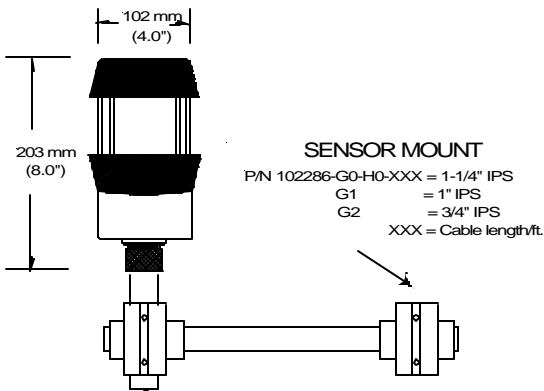


SONIMOMETER / WIND TRACKER

Utility Wind System

SONIMOMETER
SONIC ANEMOMETER
P/N 102263 or P/N 102264

Non-isolated 4-20mA option, add P/N 102356
RS-422/485 option, add P/N 102295

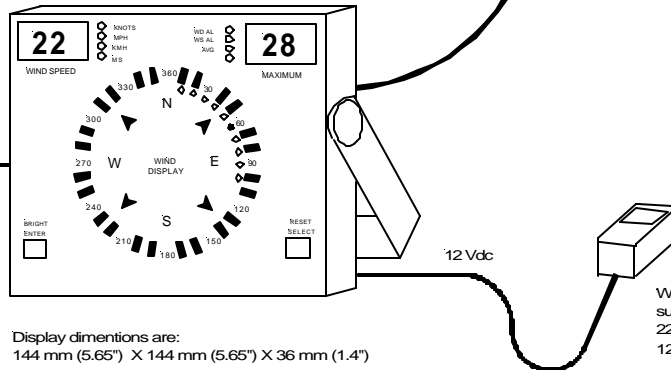


ISOLATED 4-20mA OPTION
P/N 102356-1-G0 = 110/220 Vac
G1 = 24 Vdc

22 AWG, 6 conductor shielded cable, max 1200m (4000ft)

WIND TRACKER DISPLAY
P/N 102274

RS-485 or 4-20 mA for DCS or up to 16 additional displays, with max 4000 ft. between the displays w/o linedriver. Alarm contact closures and calibrated 0-5 Vdc outputs are also provided on rear terminal strip of each display. Rack or panel mounting is available.



Display dimensions are:
144 mm (5.65") X 144 mm (5.65") X 36 mm (1.4")