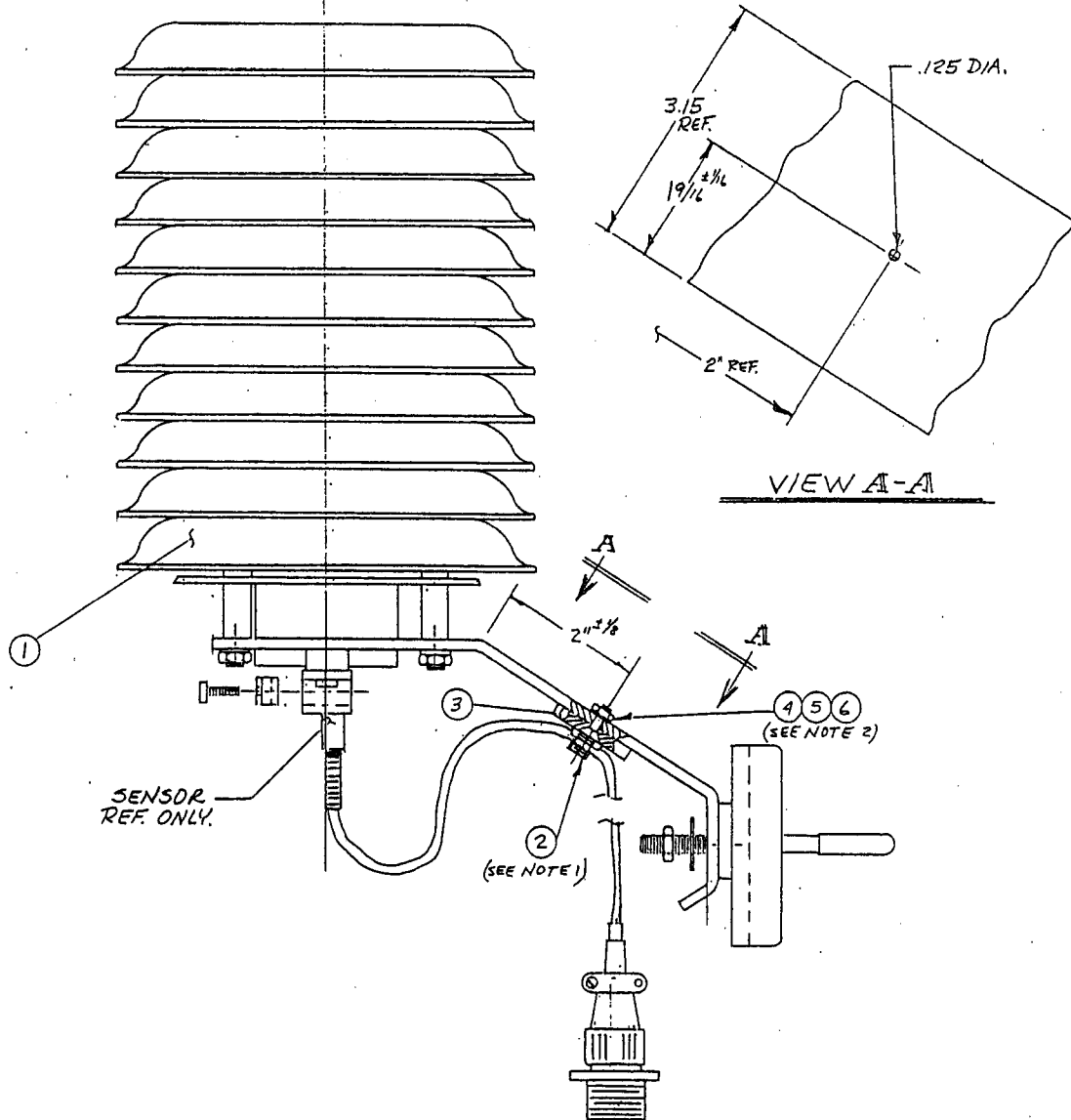


REVISIONS				
ZONE	REV	DESCRIPTION	DATE	APPROVED
	A	ECN 4301	5-28-92	JK
	B	ECN 5257	10-7-02	(M)
	C	ECN 5268	1-7-04	DA



NOTES:

- 1) MAINTAIN LOOP ON CABLE WHEN SENSOR IS INSTALLED.
- 2) DRILL HOLE ON SHIELD MTS. BRACKET AS PER VIEW A-A. AVOID PAINT DAMAGES WHEN DRILLING.

UNLESS OTHERWISE SPECIFIED DIMENSIONS ARE IN INCHES TOLERANCES ARE:		CONTRACT NO.			
FRACTIONS	DECIMALS	ANGLES	APPROVALS		
1/16	.001	1/2	DRAWN	8-6-91	GILL NAT. ASPIRATED SHIELD.
1/32	.0005	1/4	CHECKED	8-6-91	
1/64	.0002	3/8	ISSUED	8-13-91	
MATERIAL	FINISH	DRY WEIGHT	SIZE	PCOM NO.	DWG. NO.
			C	52332	102080
APPLICATION	DO NOT SCALE DRAWING	SCALE	FULL	SHEET	1 OF 2

DWG. NO. 102080
 SH 1
 REV 8

4

3

2

1

MULTI-PLATE RADIATION SHIELD

P/N 102080 Rev C

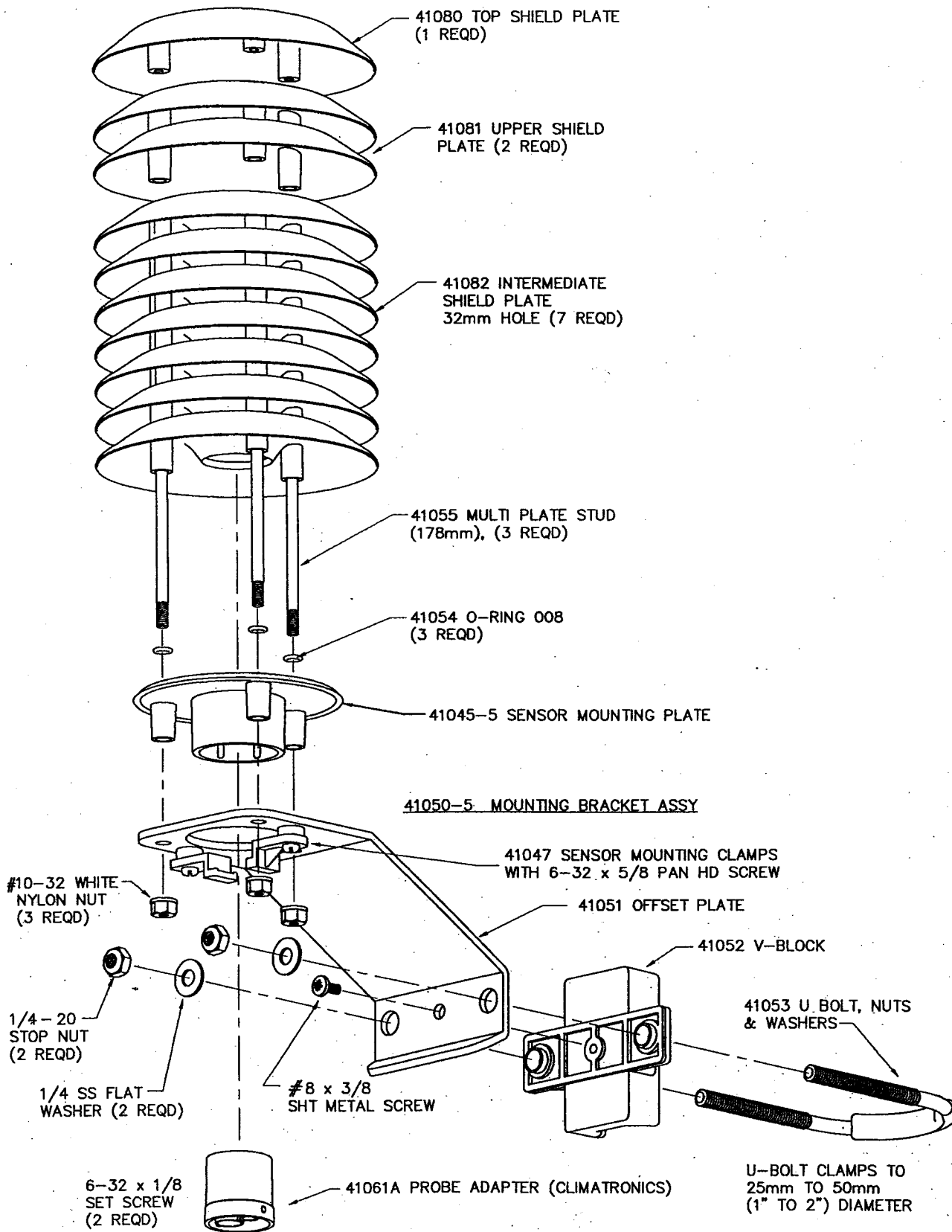
PARTS LIST

Sheet 2 of 2

ITEM	SYM. NO	QTY	PART NO.	DESCRIPTION
1		1.0	41003-9	MULTI-PLATE RADIATION SHIELD
2		1.0	PLT1M	TIE WRAP, SMALL
3		1.0	ABMS-A	MOUNT, CABLE TIE ADHESIVE
4		1.0	MS51959-15	SCREW 4-40 x 3/8 FH
5		1.0	MS35338-135	WASHER, LOCK SPLIT #4
6		1.0	MS35649-244	NUT HEX 4-40



MODEL 41003-9 MULTI-PLATE RADIATION SHIELD



MODEL 41003-9	DWG A	PRD 01/03
MULTI-PLATE RADIATION SHIELD	DWN JMT	DWN 04/04
FOR CLIMATRONICS PROBE	CHK Y.C.	E41003-9