

NOTES:

- 1) INSTALL ITEM 2 BEFORE ADDING COMPONENTS.
- 2) R1 THRU R18 TO BE INSTALLED FLUSH TO BOARD.

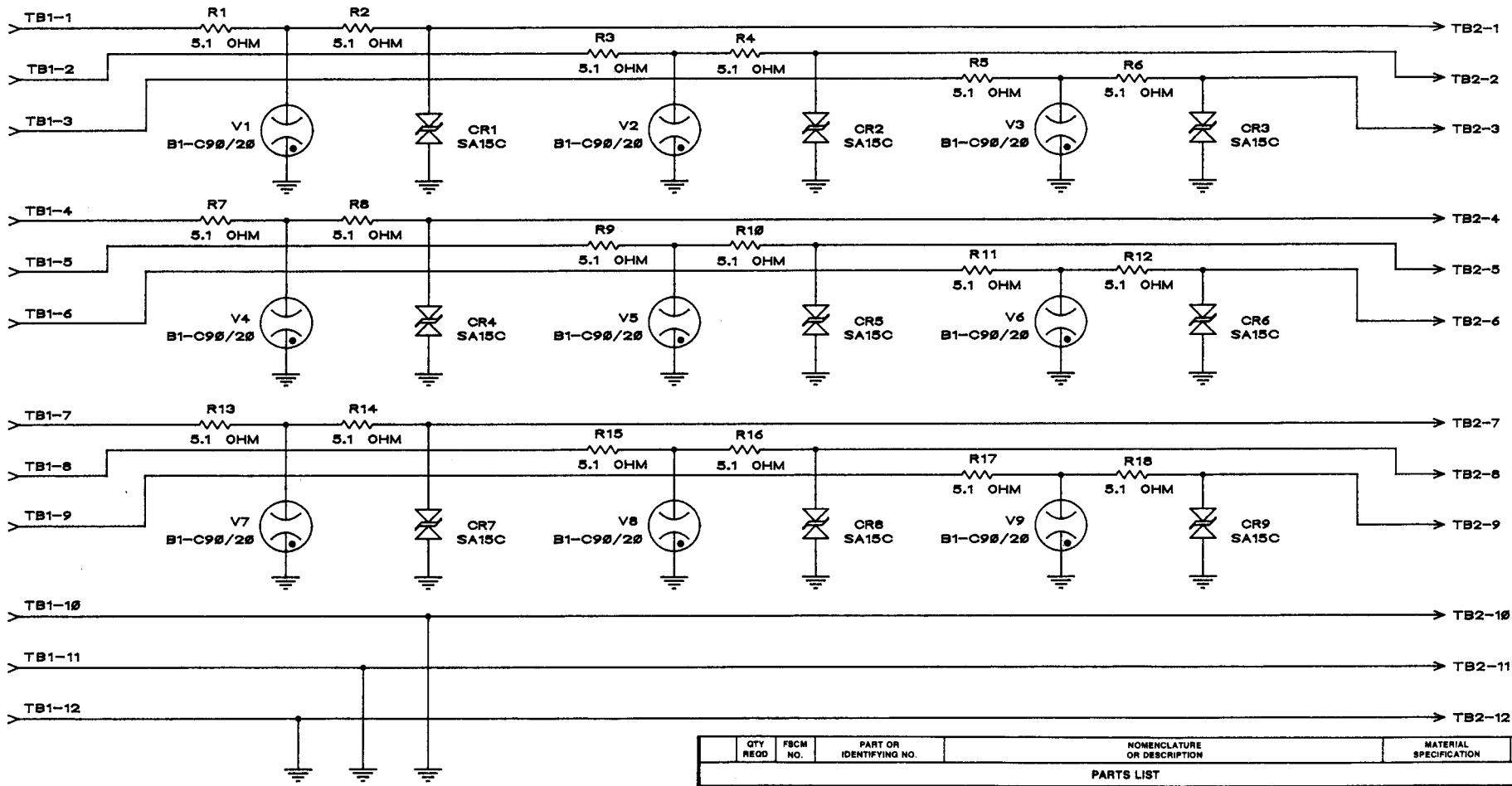
TOLERANCES (EXCEPT AS NOTED)	REVISIONS			 SIGNAL LINE PROTECTOR			
	NO.	DATE	BY				
DECIMAL ±.01 ±.005	A			DRAWN BY S. FRANCUS	SCALE FULL	MATERIAL	
FRACTIONAL ±1/64	B						
ANGULAR ±	C			CHK'D <i>DA</i> 5-27-89	DATE 5-19-89	DRAWING NO. 101904	REV.
	D			TRACED	APP'D <i>[Signature]</i>		
	E						

SIGNAL LINE SURGE PROTECTOR
P/N 101904 Rev
PARTS LIST
Sheet 2 of 2

ITEM	SYM. NO	QTY	PART NO.	DESCRIPTION
1		1.0	401247	BOARD, PRINTED CIRCUIT
2		4.0	4613C	STANDOFF, #6 CLEARANCE SWAGE
	CR1-CR9	9.0	SA15C	TRANSZORB
	R1-R18	18.0	BWF-5.1OHM	RES 5.1 OHM 2 WATT 5%
	TB1, TB2	8.0	SMKDS1.5/3-5.08	TERMINAL BLOCK, P.C. BOARD
	V1-V9	9.0	B1-C90/20	GAS DISCHARGE TUBE 90V
		0.0	401246	SCHEMATIC, SIGNAL LINE PROT.

DWG. NO. 401246 SH1 REV.

REVISIONS			
REV.	DESCRIPTION	DATE	APPROVED



101904	
NEXT ASSY	USED ON
APPLICATION	

QTY RECD	FSCM NO.	PART OR IDENTIFYING NO.	NOMENCLATURE OR DESCRIPTION	MATERIAL SPECIFICATION
PARTS LIST				
UNLESS OTHERWISE SPECIFIED DIMENSIONS ARE IN INCHES TOLERANCES ARE:		CONTRACT NO.		
FRACTIONS ±	DECIMALS .XX ±	ANGLES ±	APPROVALS	DATE
MATERIAL NOT APPLICABLE		DRAWN D. ADAMS 4-89		
FINISH NOT APPLICABLE		CHECKED P.L. 5/89		
DO NOT SCALE DRAWING		ISSUED [Signature] 5/20/89		
		SIZE B	FSCM NO. 52332	DWG. NO. 401246
		SHEET 1 of 1		REV. -



SCHEMATIC, SIGNAL LINE SURGE PROTECTOR