

2

1

DWG. NO. 101423

REVISIONS

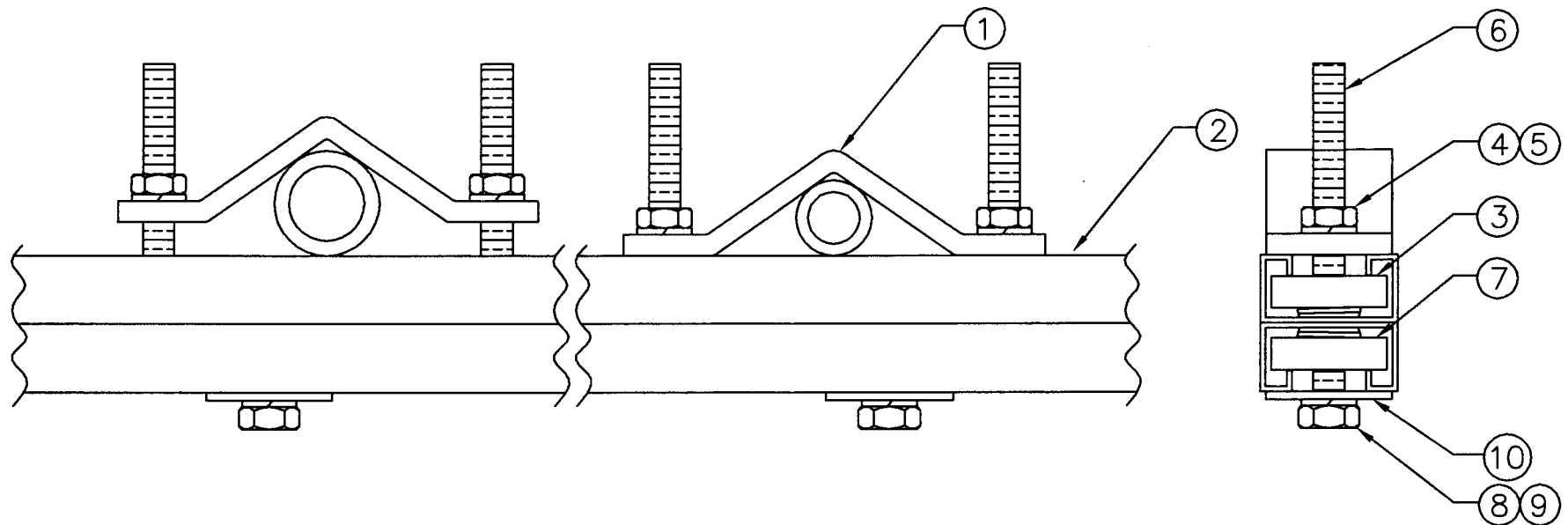
REV	DESCRIPTION	DATE	APPROVED
A	SEE ECN 3173	2/17/88	S.F.
B	SEE ECN 5512	11/02/05	D.A.

NOTES:

- 1) BRACKET ADJUSTS TO ANY GIVEN PIPE DIAMETER (UP TO 3" OD).
- 2) TWO IDENTICAL ASSEMBLIES ARE INCLUDED IN THE TOWER MOUNTING BRACKET KIT.
- 3) USED ON: UNIVERSAL AND ROHN TOWERS.


B

B



A

A

UNLESS OTHERWISE SPECIFIED DIMENSIONS ARE IN INCHES. TOLERANCES ARE: FRACTIONS DECIMALS ANGLES ± 1/64 .XX ± .010 ± 1' .XXX ± .005		CONTRACT NO.		 140 Wilbur Place Airport International Plaza Bohemia, NY 11716 FAX (631)567-7585 Phone (631)567-7300					
		APPROVALS	DATE						
MATERIAL		DRAWN	B.J.	11/18/83		TOWER MOUNTING BRACKET KIT			
NOT APPLICABLE		CHECKED							
FINISH		ISSUED	T.J.S.	11/21/83					
SEE NOTE 3	NOT APPLICABLE	SIZE	A	FSCM NO.	52332	DWG. NO.	101423	REV.	B
NEXT ASSY	USED ON	SCALE: 2 : 1		P: \Drawings\Assembly\101423B.dwg		SHEET	1 OF 2		
APPLICATION		DO NOT SCALE DRAWING							

2

1

TOWER MOUNTING BRACKET KIT
P/N 101423 Rev B
PARTS LIST
Sheet 2 of 2

ITEM	SYM.NO	QTY	PART NO.	DESCRIPTION
1		4.0	500792	BRACKET, CLAMP
2,7-10		0.0	101423G	SEE G LIST
3		8.0	P4008	UNISTRUT NUT 3/8-16
4		8.0	MS35338-141	WASHER LOCK SPLIT 3/8
5		8.0	MS51971-3	NUT HEX 3/8-16
6		8.0	3/8-16X4	ROD, THREADED 3/8-16 X 4 IN

SEE G LIST
P/N 101423G Rev
PARTS LIST
Sheet 1 of 1

ITEM	SYM.NO	QTY	PART NO.	DESCRIPTION
		1.0	101423G0	1/4 HARDWARE 24 INCH TOWER
		1.0	101423G1	3/8 HARDWARE 24 INCH TOWER
		1.0	101423G2	1/4 HARDWARE 36 INCH TOWER
		1.0	101423G3	3/8 HARDWARE 36 INCH TOWER

1/4 HARDWARE 24 INCH TOWER
P/N 10142360 Rev A
PARTS LIST
Sheet 1 of 1

ITEM	SYM.NO	QTY	PART NO.	DESCRIPTION
2		2.0	500794-1	24 INCH UNISTRUT
7		4.0	P4006-1420	UNISTRUT NUT 1/4-20
8		4.0	MS35307-308	BOLT 1/4-20 x 1
9		4.0	MS35338-139	WASHER LOCK SPLIT 1/4
10		4.0	2933	WASHER FENDER 1/4 X 1.5 IN S

3/8 HARDWARE 24 INCH TOWER
P/N 101423G1 Rev A
PARTS LIST
Sheet 1 of 1

ITEM	SYM.NO	QTY	PART NO.	DESCRIPTION
2		2.0	500794-1	24 INCH UNISTRUT
7		4.0	P4008	UNISTRUT NUT 3/8-16
8		4.0	MS35307-360	BOLT, HEX HD. 3/8-16 x 1 IN
9		4.0	MS35338-141	WASHER LOCK SPLIT 3/8
10		4.0	2935	WASHER FENDER 3/8 X 1.5 IN S

1/4 HARDWARE 36 INCH TOWER
P/N 101423G2 Rev A
PARTS LIST
Sheet 1 of 1

ITEM	SYM.NO	QTY	PART NO.	DESCRIPTION
2		2.0	500794-2	36 INCH UNISTRUT
7		4.0	P4006-1420	UNISTRUT NUT 1/4-20
8		4.0	MS35307-308	BOLT 1/4-20 x 1
9		4.0	MS35338-139	WASHER LOCK SPLIT 1/4
10		4.0	2933	WASHER FENDER 1/4 X 1.5 IN S

3/8 HARDWARE 36 INCH TOWER
P/N 10142363 Rev A
PARTS LIST
Sheet 1 of 1

ITEM	SYM.NO	QTY	PART NO.	DESCRIPTION
2		2.0	500794-2	36 INCH UNISTRUT
7		4.0	P4008	UNISTRUT NUT 3/8-16
8		4.0	MS35307-360	BOLT, HEX HD. 3/8-16 x 1 IN
9		4.0	MS35338-141	WASHER LOCK SPLIT 3/8
10		4.0	2935	WASHER FENDER 3/8 X 1.5 IN S